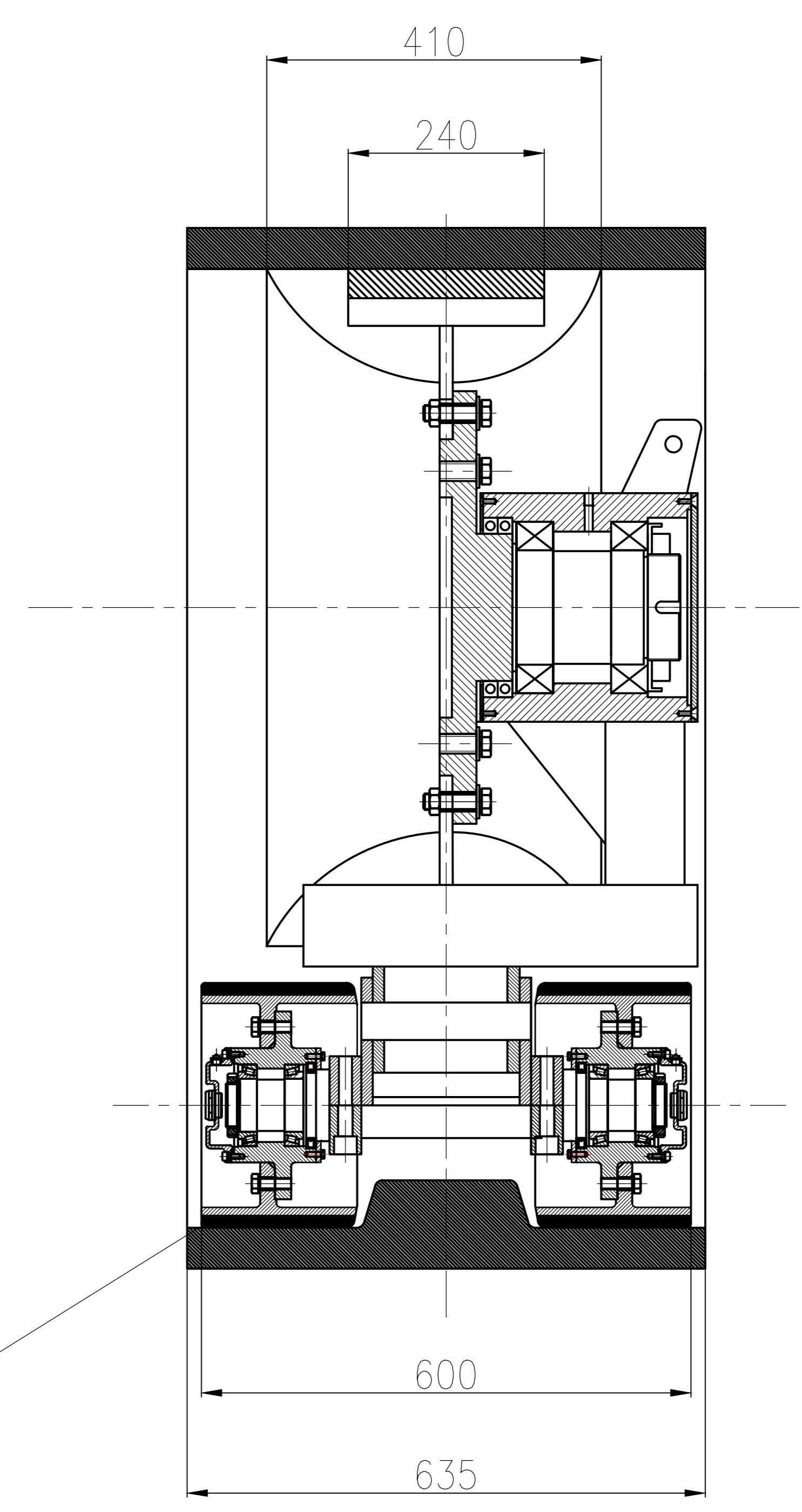
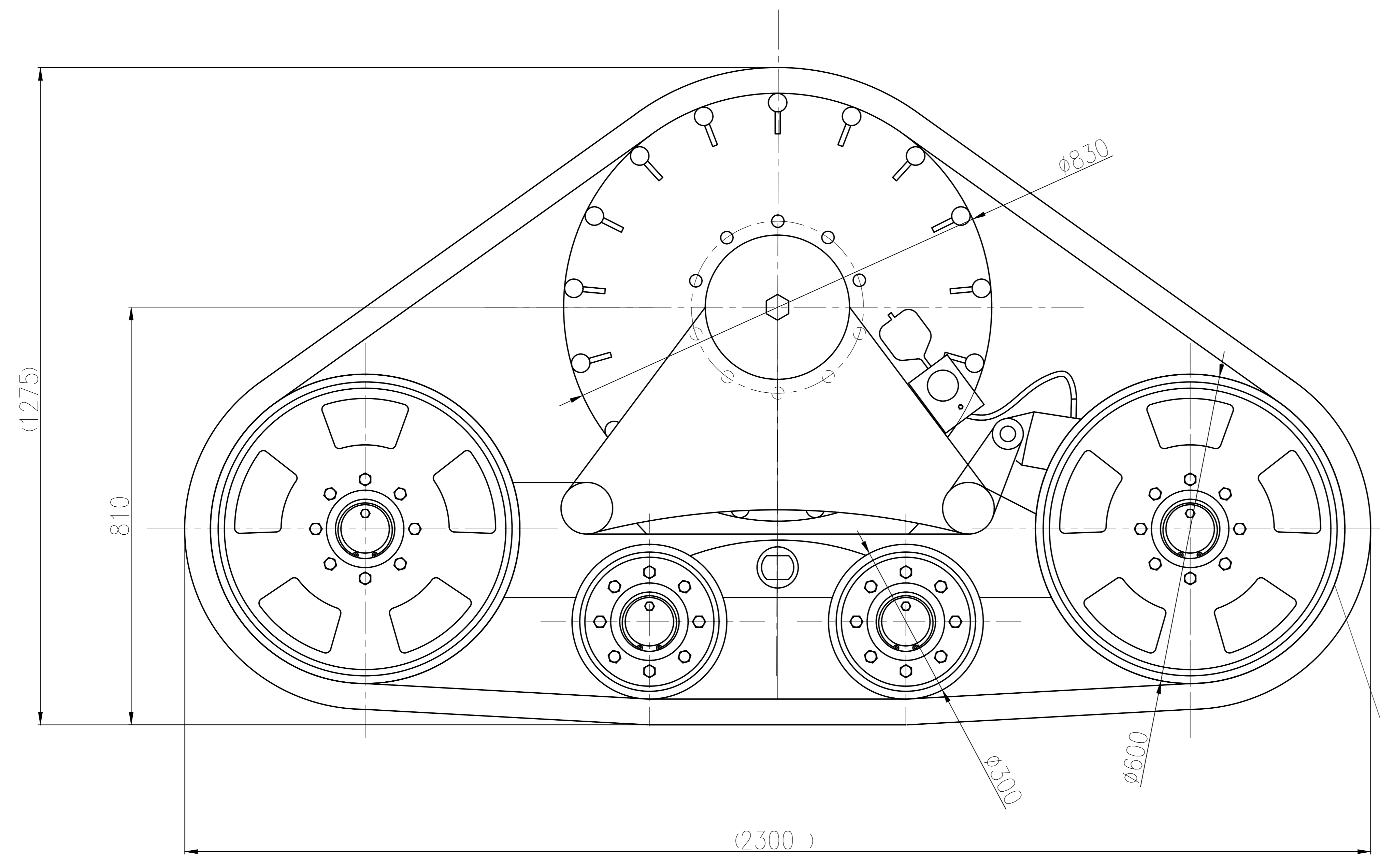
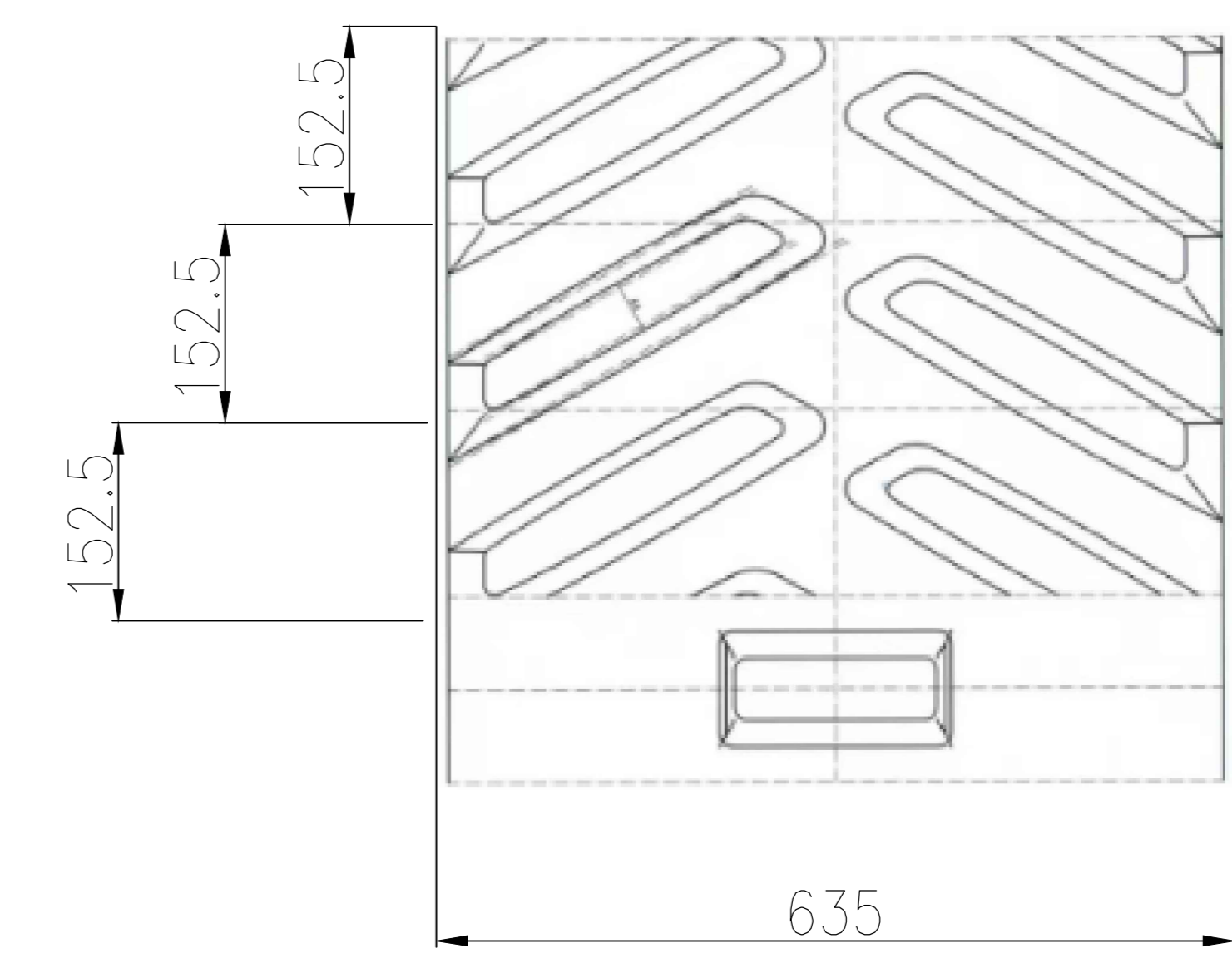


# Val tra N135H Rubber Track systems



The thickness of the rubber layer on the wheel is 15 mm

- Specification:
- 1:Frame:Stainless steel
  - 2:Belt: Rubber
  - 3:Frame Color:Green
  - 4:Recommend Speed:20km/h
  - 5:Working temperature:-20°C to +40°C



rubber pattern